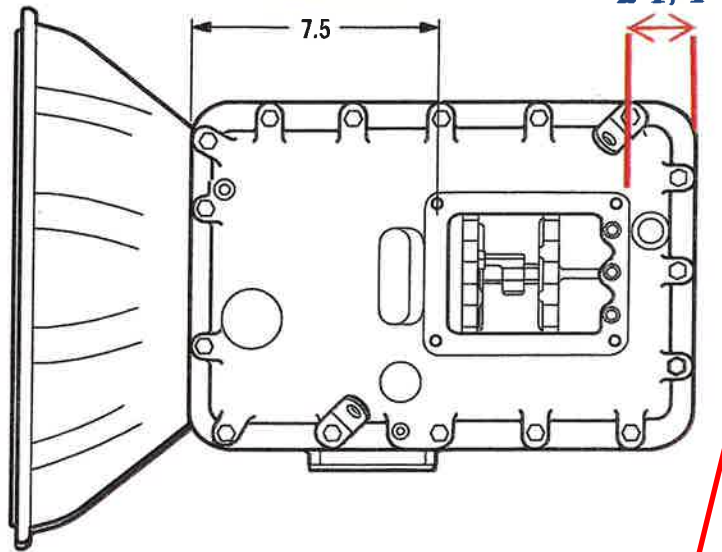


To determine if lid is standard or forward control position.....  
measure lever opening location from back of stick casting to  
back of lid casting as shown below.....

**STANDARD CONTROL POSITION**



**FORWARD CONTROL POSITION**

