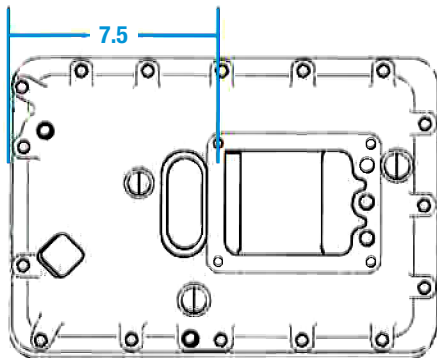
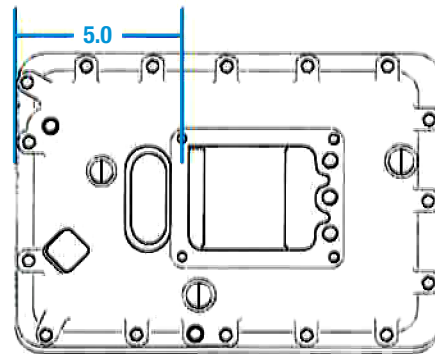


Cover Identification for Fuller Transmissions

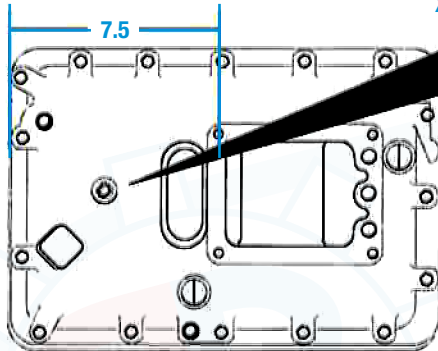
To begin identification, examine the shift bar housing of your unit and compare it to the drawings below.



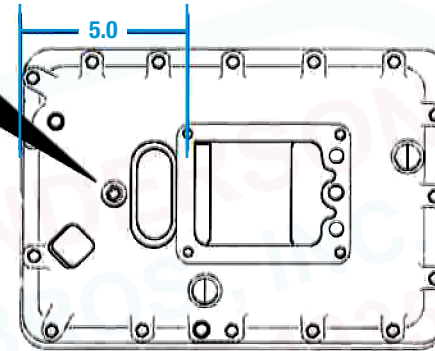
Standard (STD) Housing
RT / RTO models



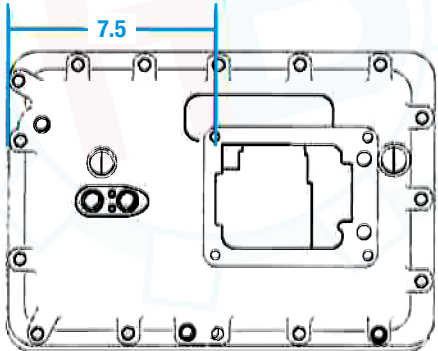
Forward (F) Housing
RTF / RTOF models



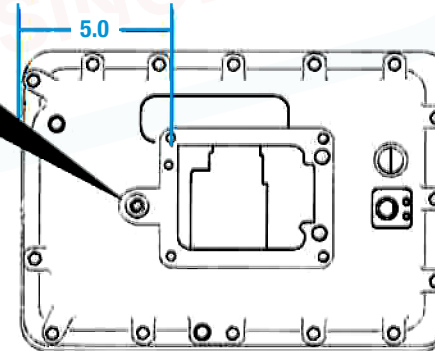
Standard X (X) Housing
RTX models



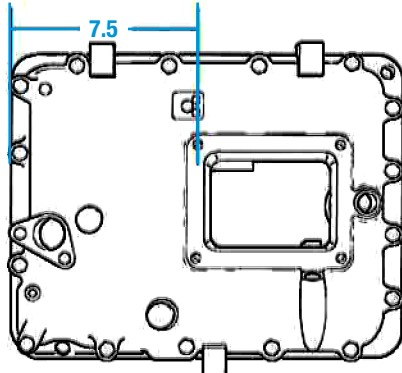
X-Forward (XF) Housing
RTXF models



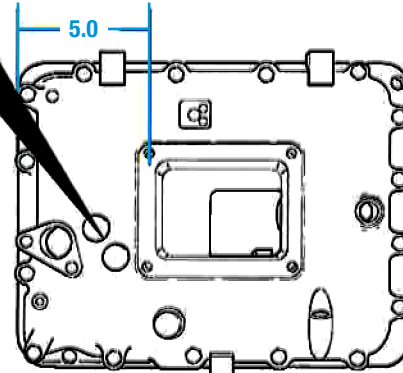
Standard (STD) Housing
RTLO models



Forward (F) Housing
RTLOF models



Standard (STD) Housing
FR/FRO/RTO models



Forward (F) Housing
FRF/FROF/RTOF models

X-Bar Housing