

December 2007



Fender Bracket Kits, Spindle Mounted for Self Steering Auxiliary Axles

Bracket kits are available for forged or fabricated axles, with Eaton or Meritor brakes, and front or rear mounted cam shafts.

Fenders are available in three different variations. One type is polished smooth aluminum with formed edges and another type is polished stainless steel with formed edges. The third type has an aluminum center with molded rubber edges.

NOTE: Standard stock fenders are rolled to fit 215/75R 17.5, 255/70R 22.5, 275/80 - 295/75 11R 22.5, 315/80, 385/65, 425/65R 22.5 tires, 275/80 - 295/75 and 11R 24.5 tires.

 Pederson Bros., Inc.

Mailing Address: P.O. Box 30437, Bellingham, WA 98228-2437
Street Address: 3974 Bakerview Spur, Bellingham, WA 98226
Telephone: (360) 734-9180, Fax: (360) 734-9649
www.pedersonbros.com



Oct 27, 2010

Peterbilt 13K Lift Axles

Early through mid ninety's Peterbilt with factory installed pusher axle.

Watson Chalin suspension - 13.5K fabricated axle ass'y,
Eaton 15 x 4 brakes with two bolt forward cam tube flange - 016-20-863 Kit
Consisting of 63's on the front and 78's on the rear of the spindle.

Watson Chalin suspension - 13.5K fabricated axle ass'y,
Eaton 16-1/2 x 5 brakes with 4 bolt trapezoidal pattern 4" centers & 7" centers - 016-20-857
Kit. Consisting of 57's on the front and 78's on the rear of the spindle.

Hendrickson suspension - 13.5K fabricated axle ass'y, with cast two piece spindle (knuckles)
Eaton 15 x 4 brakes with two bolt forward cam tube flange - 016-20-856⁹ Kit
Consisting of 69's on the front and 785's on the rear of the spindle.

Hendrickson suspension - 13.5K fabricated axle ass'y, with cast two piece spindle (knuckles)
Eaton 16-1/2 x 5 brakes with 4 bolt trapezoidal pattern 4" centers & 7" centers - 016-20-8557
Kit. Consisting of 57's on the front & 785's on the rear of the spindle.

Late ninety's to present Peterbilt with factory installed pusher axle.

Includes SL-1190

Watson Chalin suspension - 13.5K fabricated axle ass'y,
Eaton / Bendix 15x 4 brakes with 4 bolt trapezoidal pattern 3-1/2" centers & 6-3/16"
centers. Kit # [] consisting of 56's on the front & 78's on the rear of the spindle.

016-20-856B

Watson Chalin suspension - 13.5K fabricated axle ass'y,
Eaton / Bendix 16-1/2 x 5 brakes with 4 bolt slight trapezoidal pattern 3-1/2" centers & 4"
centers. Kit # 016-20-866 consisting of 66's on the front & 78's on the rear of the spindle.

Includes SL-1190

Hendrickson suspension - 13.5K fabricated axle ass'y, with cast 2 piece spindle (knuckles)
Eaton / Bendix 15 x 4 brakes with 4 bolt trapezoidal pattern 3-1/2" centers & 6-3/16" centers,
Kit # 016-20-8556 consisting of 56's on the front & 785's on the rear of the spindle.

Hendrickson suspension - 13.5K fabricated axle ass'y with cast 2 piece spindle (knuckles)
Eaton / Bendix 16-1/2 x 5 brakes with 4 bolt slight trapezoidal pattern 3-1/2" & 4" centers,
Kit # 016-20-8566 consisting of 66's on the front & 785' on the rear of the spindle.

HENDRICKSON HLUC (NON PACCAR INSTALLATION)
15X4 MERITOR BRAKES. KIT # 016-20-8562



MAILING ADDRESS: P.O. Box 30437, Bellingham, WA 98228-2437
STREET ADDRESS: 3974 Bakerview Spur, Bellingham, WA 98226
Telephone (360) 734-9180, FAX (360) 734-9649

Pederson Bros., Inc.

Each drawing on the following pages represents a backing plate (spider) relative to the camshaft location and type of camshaft tube mounting flange which determines the proper kit for each application.

016 is a computer code for Pederson Bros., Inc. manufactured products.

The two center numbers, "20" represent a Bracket Kit only (without fenders)

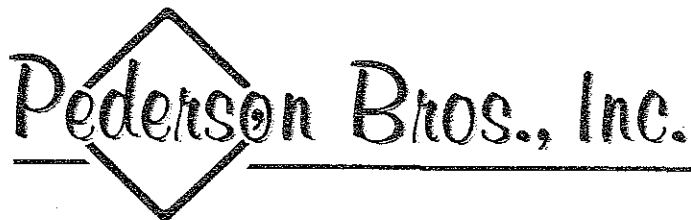
016-20-8 ___ Bracket Kit only, with standard $\frac{1}{2}$ " x 2" aluminum arms.
 $\frac{5}{8}$ " x 2" aluminum and $\frac{1}{2}$ " x 2" steel arms are optional, which must be specified.

The two center numbers, "22" represent an individual or single part. All the components of a Bracket Kit are an 016-22- ___ See page 2 and 3 for the parts list.

NOTE: $\frac{5}{8}$ " heavy duty aluminum arms are required when using stainless steel fenders and must be noted on kit order.

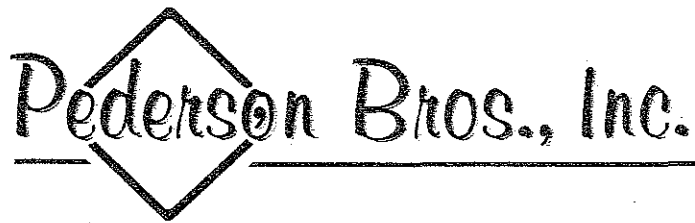
Pederson Bros., Inc. strongly suggests that $\frac{5}{8}$ " heavy duty arms be used for tank truck applications, no matter which fender is installed.

$\frac{3}{4}$ " heavy duty aluminum arms are furnished with each 20,000 # axle kit.



FENDER PART NUMBERS & MOUNTING BRACKET DESCRIPTIONS

016-22-71	10" Wide Aluminum	17.5" Radius	215/75R17.5
016-22-72	12" Wide Aluminum	20" Radius	255/70R22.5
016-22-72SS	12" Wide Stainless	20" Radius	255/70R22.5
016-22-7312-22	12" Wide Aluminum	22" Radius	295/75 or 275/80R22.5
016-22-7312-22SS	12" Wide Stainless	22" Radius	295/75 or 275/80R22.5
016-22-7312-23	12" Wide Aluminum	23" Radius	295/75 or 275/80R24.5 & 11R22.5
016-22-7312-24	12" Wide Aluminum	24" Radius	11R24.5
016-22-7314-24	14" Wide Aluminum	24" Radius	315/80R22.5
016-22-7316-23	16" Wide Aluminum	23" Radius	385/65R22.5
016-22-7318-24	18" Wide Aluminum	24" Radius	425/65R22.5
016-22-76	Rubber Edged Aluminum	20" - 22" Radius	255/70R22.5 - 295/75 or 275/80R22.5
016-22-79A 585	1/2 x 2 Aluminum	Rear Arm	351 or 851 Kit
016-22-79A 510	1/2 x 2 Aluminum	Front Arm	351 or 851 Kit
016-22-79A	1/2 x 2 Aluminum	Arm	
016-22-79A612	5/8 x 2 Aluminum	Heavy Duty Arm	
016-22-79A715	3/4 x 2 Aluminum	(for wide fenders)	
016-22-79S	1/2 x 2 Steel		
016-22-51L or R	Watson Chalin SL-085ITT & Hendrickson FBC 8K & 10K Cam Mounted Bracket		
016-22-52	Hendrickson FBC 8K or 10K Spindle Mounted Bracket		
016-22-53L or R	Watson Chalin SL-085ITT Spindle Mounted Bracket		
016-22-56L or R	Cam Mounted Bracket		
016-22-57L or R	Front Cam Mounted Bracket (Eaton 4 Bolt) Watson or Hend. on Peterbilt		
016-22-58L or R	Mounts to Spindle & Bottom Bolt in Cam Tube Flange, Hendrickson HLUS or HLUC on Kenworth		
016-22-59L	Weld-On Mount for 5" Round Axle		
016-22-61L or R	Meritor Rear Cam Mount, Watson Chalin on Kenworth		
016-22-62L or R	Meritor Front Cam Mount, 10 o'clock position		
016-22-63L or R	Front Bracket, Spindle Mount, used w/ Rockwell "Q" Plus and Eaton 2 Bolt Cam Flange		
016-22-64L or R	Cam Mounted Bracket		
016-22-66L or R	Eaton 4 Bolt Front or Rear Cam Mount Bracket, 20K Axle		
016-22-67L or R	Meritor Front Cam 11 o'clock position or Rear 2 o'clock position		
016-22-68L or R	Rear Bracket, Spindle Mount w/ Eaton 2 Bolt Cam, Watson Chalin on Kenworth		
016-22-69L or R	Mounts to Spindle & Bottom Bolt in Cam Tube Flange, Hendrickson HLUS and HLUC on Peterbilt		
016-22-78L or R	Spindle Mount, Rear Bracket in Most Applications, Lower 3 Bolt Holes		
016-22-785L or R	Spindle Mount Rear Bracket, Hendrickson HLUS and HLUC		



COMPONENT LIST, FENDER BRACKET KITS

016-20-845-5/8 1EA 455L-455R-45L-45R-46L-46R-4EA 79A612 ARMS 1 BOLT KIT
 016-20-845 1EA 455L-455R-45L-45R-46L-46R-4EA 79A Arms-1EA BOLT KIT

016-20-351	1EA 51L - 51R - 53L - 53R	2EA 79A585 - 2EA 79A510 ARMS	1EA BOLT KIT
016-20-851	1EA 51L - 51R - 52L - 52R	2EA 79A585 - 2EA 79A510 ARMS	1EA BOLT KIT
016-20-849	1EA 49L - 49R - 48L - 48R	4EA ARMS PLUS	1EA BOLT KIT
016-20-856	1EA 56L - 56R - 78L - 78R	4EA - ARMS PLUS	1EA BOLT KIT
016-20-857	1EA 57L - 57R - 78L - 78R	4EA - ARMS PLUS	1EA BOLT KIT
016-20-8557	1EA 57L - 57R - 785L - 785R	4EA - ARMS PLUS	1EA BOLT KIT
016-20-8558	1EA 58L - 58R - 785L - 785R	4EA - ARMS PLUS	1EA BOLT KIT
016-20-861	1EA 61L - 61R - 63L - 63R	4EA - ARMS PLUS	1EA BOLT KIT
016-20-8562	1EA 62L - 62R - 785L - 785R	4EA - ARMS PLUS	1EA BOLT KIT
016-20-863	1EA 63L - 63R - 78L - 78R	4EA - ARMS PLUS	1EA BOLT KIT
016-20-864	1EA 64L - 64R - 78L - 78R	4EA - ARMS PLUS	1EA BOLT KIT
016-20-865	1EA 62L - 62R - 78L - 78R	4EA - ARMS PLUS	1EA BOLT KIT
016-20-866	1EA 66L - 66R - 78L - 78R	4EA - ARMS PLUS	1EA BOLT KIT
016-20-867	1EA 67L - 67R - 78L - 78R	4EA - ARMS PLUS	1EA BOLT KIT
016-20-367	REAR CAM 1EA 67L - 67R - 63L - 63R	4EA - ARMS PLUS	1EA BOLT KIT
016-20-868	1EA 68L - 68R - 63L - 63R	4EA - ARMS PLUS	1EA BOLT KIT
016-20-8569	1EA 69L - 69R - 785L - 785R	4EA - ARMS PLUS	1EA BOLT KIT
016-20-878	2EA-78L - 2EA 78R	4EA - ARMS PLUS	1EA BOLT KIT

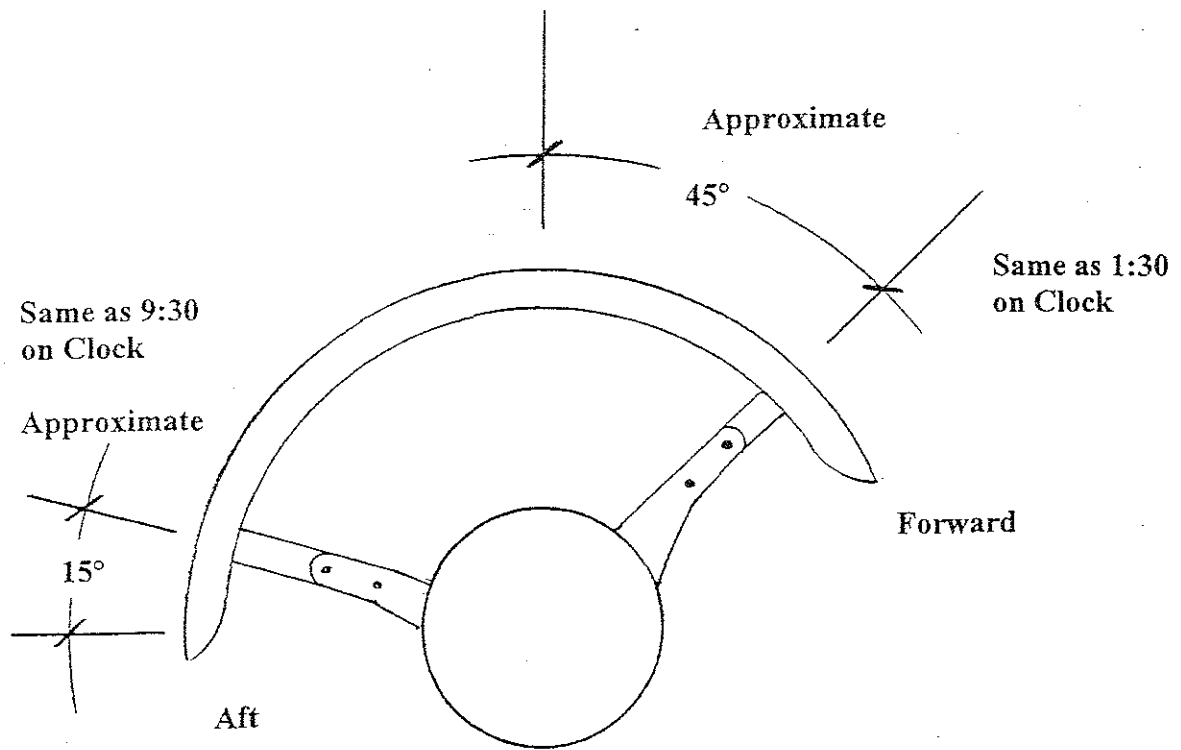
016-20-6583 1EA 6538L - 6538R - 7838L - 7838R 4EA 79A715 ARMS 1EA BOLT KIT
016-20-6584 1EA 6542L - 6542R - 7842L - 7842R 4EA 79A715 ARMS 1EA BOLT KIT
 ALSO AVAILABLE HD KITS w 3/4"x3" ARMS

016-20-6683 1EA 6638L - 6638R - 7838L - 7838R 4EA 79A715 ARMS 1EA BOLT KIT
016-20-6684 1EA 6642L - 6642R - 7842L - 7842R 4EA 79A715 ARMS 1EA BOLT KIT
 ALSO AVAILABLE HD KITS w/3/4"x3" ARMS

016-20-6783 1EA 6738L - 6738R - 7838L - 7838R 4EA 79A715 ARMS 1EA BOLT KIT
016-20-6784 1EA 6742L - 6742R - 7842L - 7842R 4EA 79A715 ARMS 1EA BOLT KIT
 ALSO AVAILABLE HD KIT w/ 3/4"x3" ARMS



Recommended Placement of Brackets and Fenders for Correct Installation



Hendrickson SCT10 Lift Axles use
 016-20-849 w/8.25 x 22.5 Wheel
 016-20-850 w/6.25 x 19.5 Wheel
 016-20-851 w/6.75 x 17.5 Wheel

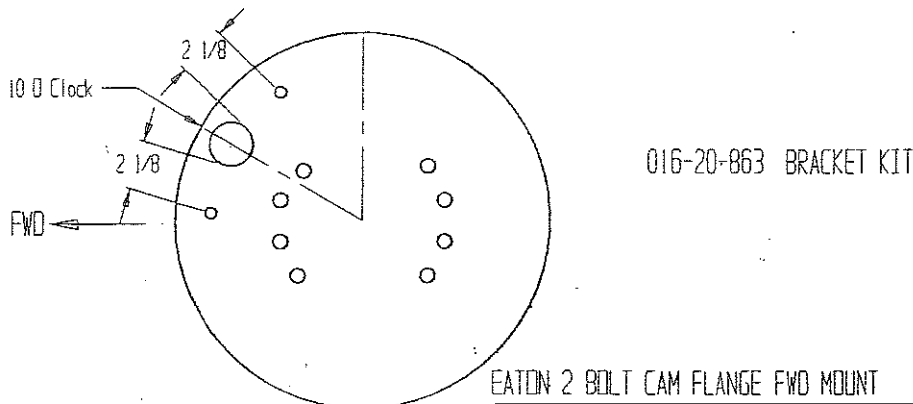
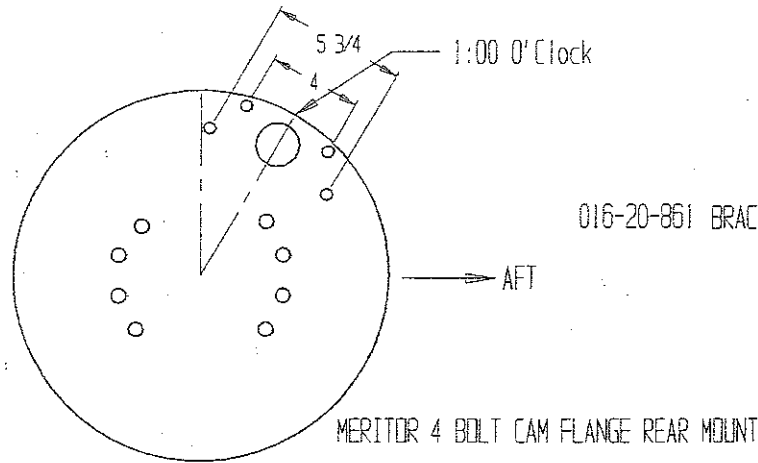


016-20-849 BRACKET KIT
 Hendrickson FBC 10K w/ 8.25 x 22.5
 Wheel

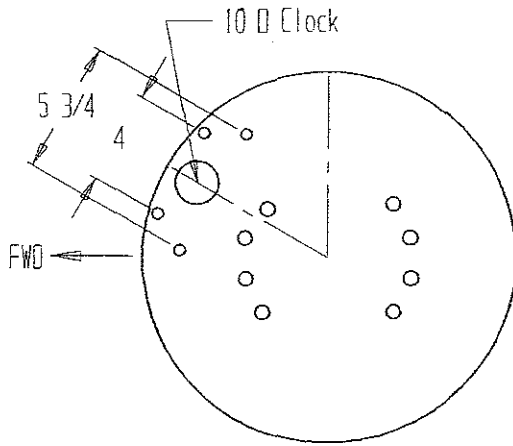
016-20-850 BRACKET KIT
 Hendrickson FBC 10K
 w/ 6.75 x 19.5 Wheel

016-20-351 Bracket Kit
 Watson-Chalin SL-0851TT Tru-Track Super Lite
 8,000# Capacity Self Steering Axle
 With 215/75 R17.5 Tires
Link Duralift II 8K & 10K.

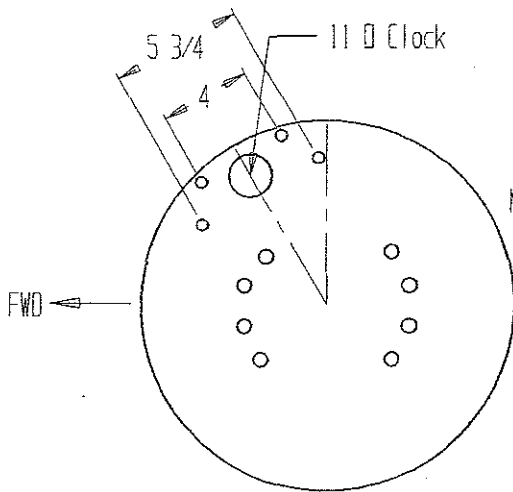
016-20-851 Bracket Kit
 Hendrickson FBC
 8K ~~8-10K~~ Self Steering Axle
 with 6.75 x 17.5 ~~6.75 x 19.5~~ Wheel Size



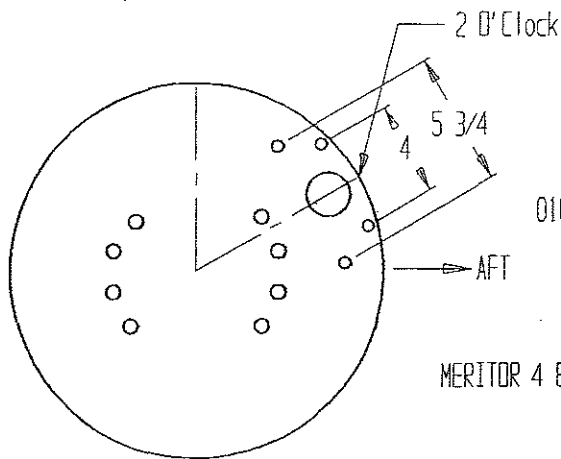
**Watson-Chalin, Forged I-Beam
 or Link Model #'s 490, 712 & 715**



MERITOR 4 BOLT CAM FLANGE FWD MOUNT
016-20-865 BRACKET KIT

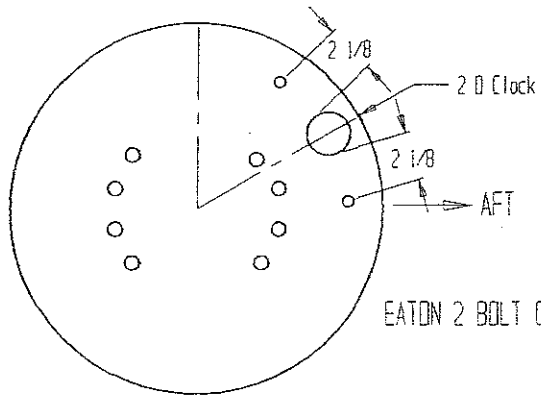


MERITOR 4 BOLT CAM FLANGE TOP FWD MOUNT
016-20-867 BRACKET KIT



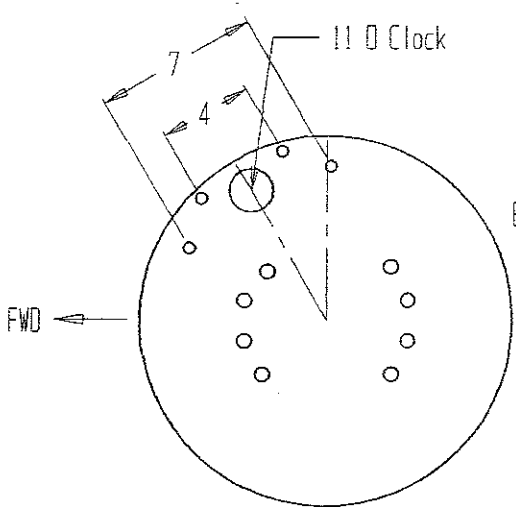
016-20-367 BRACKET KIT

MERITOR 4 BOLT CAM FLANGE REAR MOUNT



016-20-868 BRACKET KIT

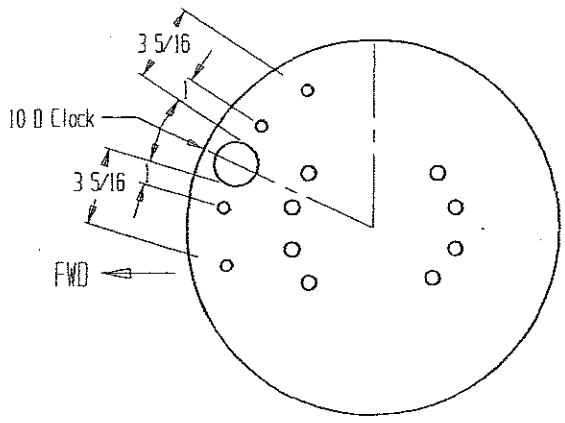
EATON 2 BOLT CAM FLANGE REAR MOUNT



EATON 4 BOLT CAM FLANGE TOP FWD MOUNT

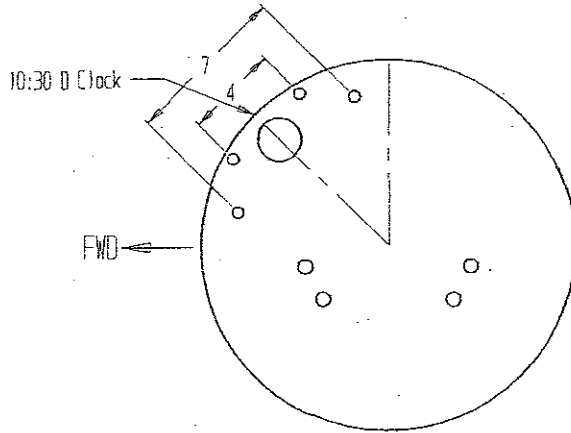
016-20-857 BRACKET KIT

PETERBILT / WATSON CHALIN



ROCKWELL 15" "D" SERIES

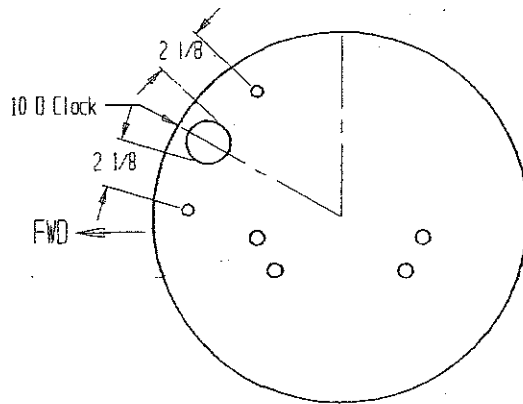
016-20-863 BRACKET KIT



016-20-8557 BRACKET KIT

EATON 4 BOLT CAM
TUBE FLANGE

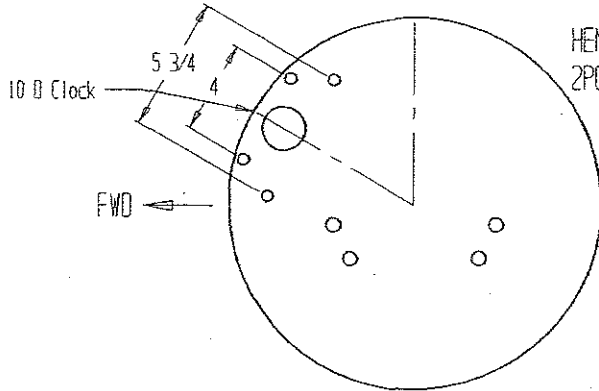
PETERBILT W/HENDRICKSON HLUS, HLUC OR HLUR
2PC SPINDLE W/EATON FWD CAM



016-20-8569 BRACKET KIT

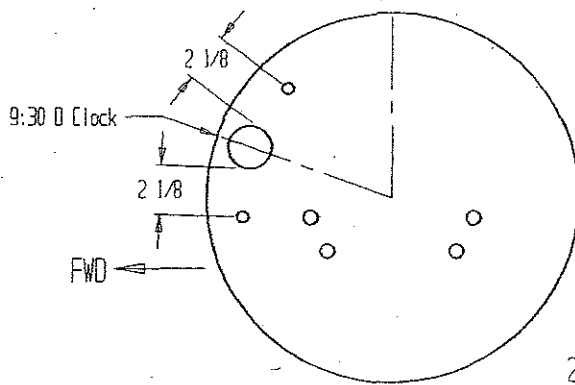
EATON 2 BOLT CAM
TUBE FLANGE

PETERBILT W/HENDRICKSON HLUS, HLUC OR HLUR
2PC SPINDLE W/EATON FWD CAM



HENDRICKSON HLUS, HLUC OR HLUR
2PC SPINDLE W/MERITOR FWD CAM

016-20-8562 BRACKET KIT



016-20-8558 BRACKET KIT

KENWORTH W/HENDRICKSON
HLUS, HLUC OR HLUR
2PC SPINDLE W/EATON FWD CAM

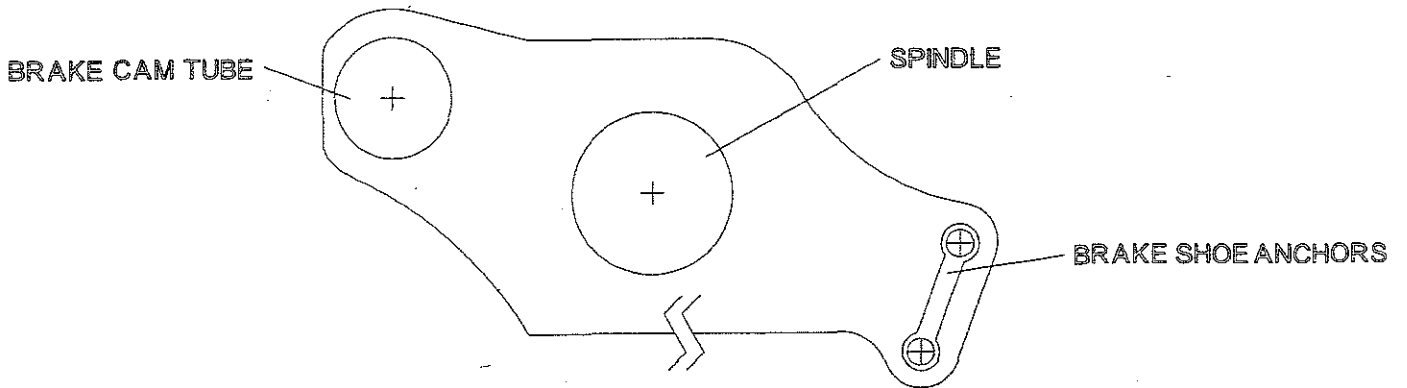
Hendrickson SCT10 Lift Axles use
016-20-849 w/8.25 x 22.5 Wheel
016-20-850 w/6.25 x 19.5 Wheel
016-20-851 w/6.75 x 17.5 Wheel

Hendrickson SCT20 use
016-20-4645 BRACKET KIT

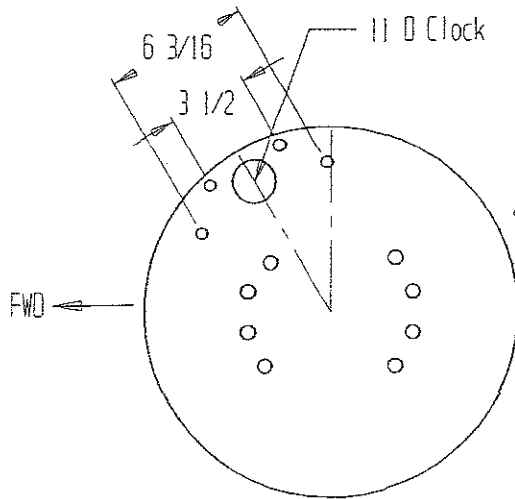
NEW BRACKET KIT

PEDERSON BRACKET KIT # 016-20-845

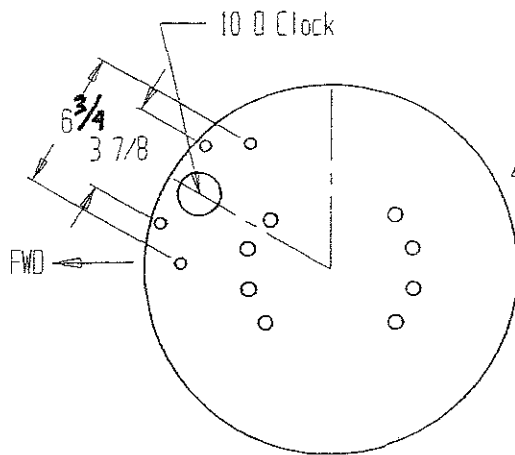
HENDRICKSON MODEL " SCT13 or STT13 "



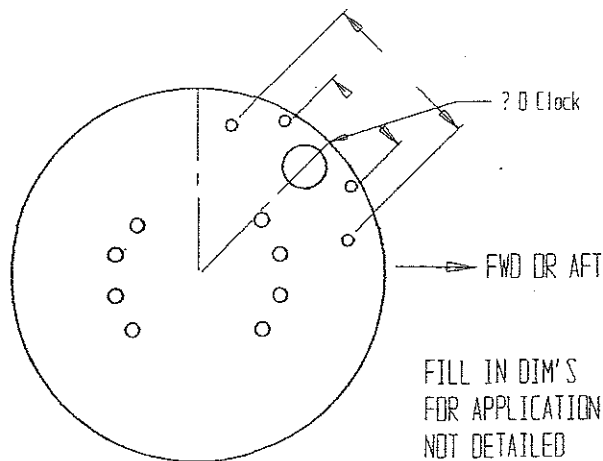
LEFT HAND (DRIVERS) SIDE DRAWN WITHOUT
WHEEL, TIRE, HUB, DRUM AND BRAKE SHOES



Link 13.5K Model # 0000000723
4 BOLT CAM FLANGE TOP FWD MOUNT
016-20-856 BRACKET KIT
For Watson/Chalin Use Kit #
016-20-856B



4 BOLT CAM FLANGE FWD MOUNT
016-20-864 BRACKET KIT

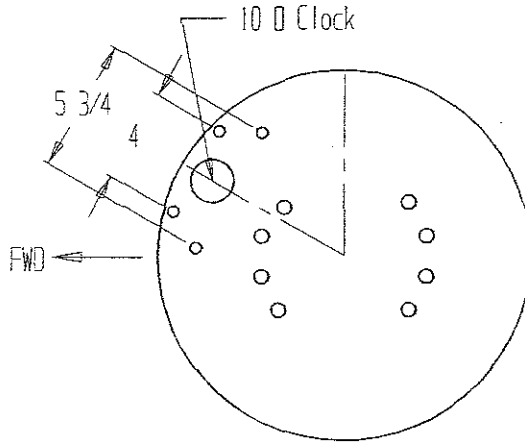


FILL IN DIM'S
FOR APPLICATION
NOT DETAILED



20,000# AXLE BRACKET KITS

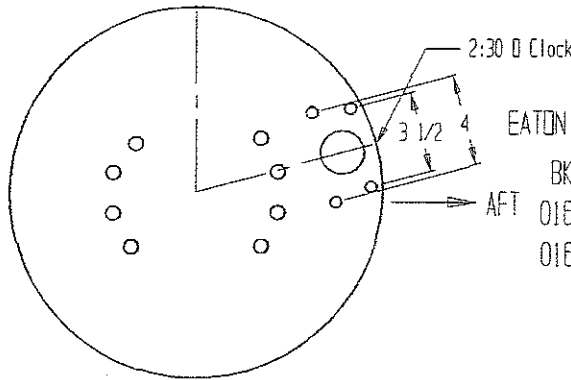
3/4X2 ALUM ARMS STD WITH BRACKET KITS ON THIS PAGE



MERITOR 4 BOLT CAM FLANGE FWD MOUNT

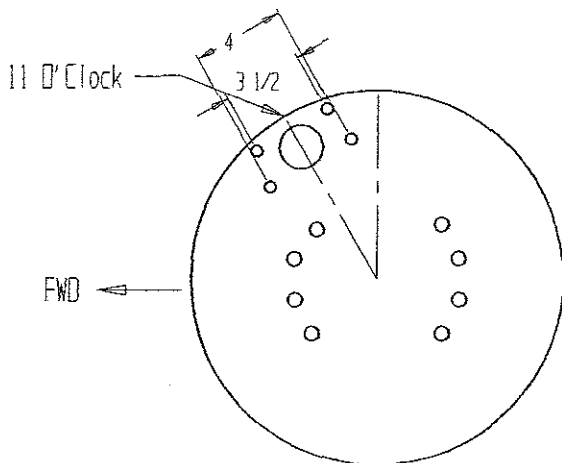
Bracket Kit#	Tire Size	Fender #
016-20-6583	315/80R22.5	016-22-7314-24
016-20-6583	385/65R22.5	016-22-7316-23
016-20-6584	425/65R22.5	016-22-7318-24

For Stainless Add SS to end of Fender #



EATON 4 BOLT REAR CAM FLANGE

BKT KIT #	FOR TIRE SIZE
016-20-6683	385/65 R22.5
016-20-6684	425/65 R22.5



EATON 4 BOLT FORWARD CAM FLANGE

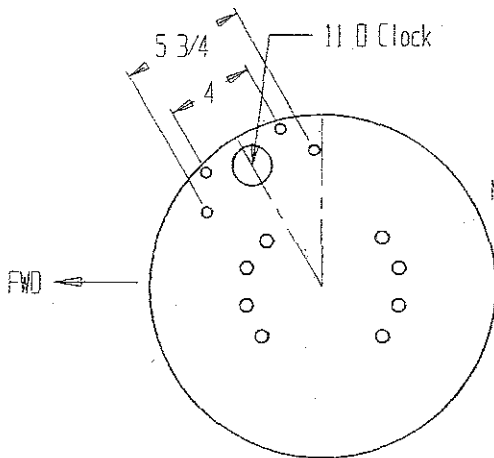
Bracket Kit#	Tire Size	Fender #
016-20-6683	315/80R22.5	016-22-7314-24
016-20-6683	385/65R22.5	016-22-7316-23
016-20-6684	425/65R22.5	016-22-7318-24

For Stainless Add SS to end of Fender #



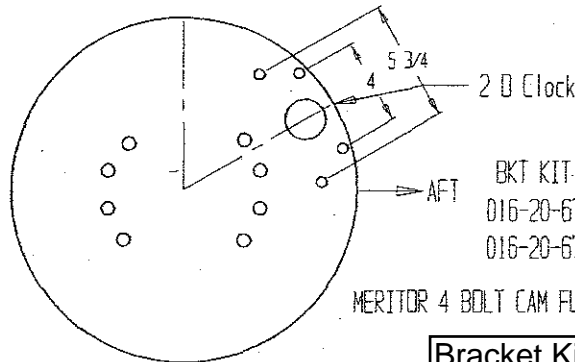
20,000# AXLE BRACKET KITS

3/4X2 ALUM ARMS STD WITH BRACKET KITS ON THIS PAGE



MERITOR 4 BOLT CAM FLANGE TOP FWD MOUNT

Bracket Kit#	Tire Size	Fender #
016-20-6783	315/80R22.5	016-22-7314-24
016-20-6783	385/65R22.5	016-22-7316-23
016-20-6784	425/65R22.5	016-22-7318-24
For Stainless Add SS to end of Fender #		



MERITOR 4 BOLT CAM FLANGE REAR MOUNT

BKT KIT #	FOR TIRE SIZE
016-20-6783	385/65 R22.5
016-20-6784	425/65 R22.5

Bracket Kit#	Tire Size	Fender #
016-20-6783	315/80R22.5	016-22-7314-24
016-20-6783	385/65R22.5	016-22-7316-23
016-20-6784	425/65R22.5	016-22-7318-24
For Stainless Add SS to end of Fender #		